



# INSTALLATION INSTRUCTIONS

Accessory

CARGO LINER  
P/N 08P42-TZ5-200

Application

2014 MDX

Publications No.

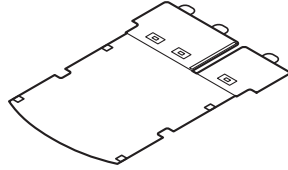
BII 48818

Issue Date

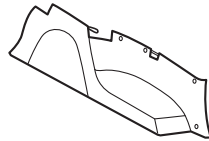
MAY 2013

## PARTS LIST

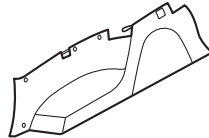
Center cargo liner



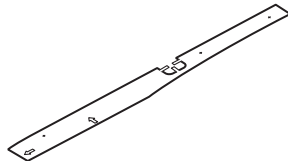
Left cargo liner



Right cargo liner



Template



8 Snap-screws



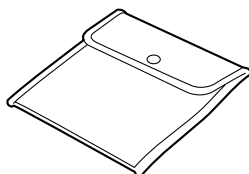
8 Washers



8 Well nuts



Bag



## TOOLS AND SUPPLIES REQUIRED

Phillips screwdriver

Drill

3 mm, 6 mm, and 8 mm Drill bits

Pushpin

Tape

Masking tape

File

Ruler

Felt-tip pen

Eye protection (face shield, safety goggles, etc.)

*The following tool is available through the Honda Tool and Equipment Program. On the iN, click on: Service > Service Bay > Tool and Equipment Program, then enter the number under "Search". Or, call 888-424-6857.*

- Plastic Trim Tool (T/N SILTRIMTL10)

## INSTALLATION

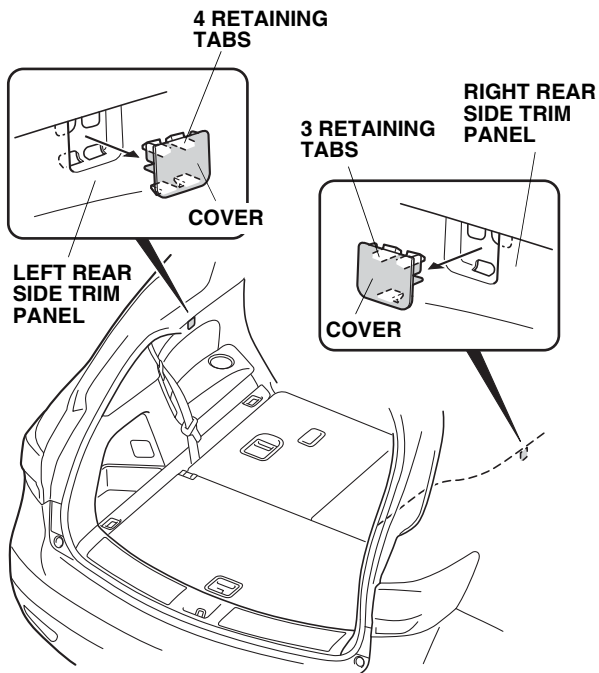
**Client Information:** The information in this installation instruction is intended for use only by skilled technicians who have the proper tools, equipment, and training to correctly and safely add equipment to your vehicle. These procedures should not be attempted by "do-it-yourselfers."

NOTE: Be careful not to damage the body.

1. Fold down the second row seats and third row seats.

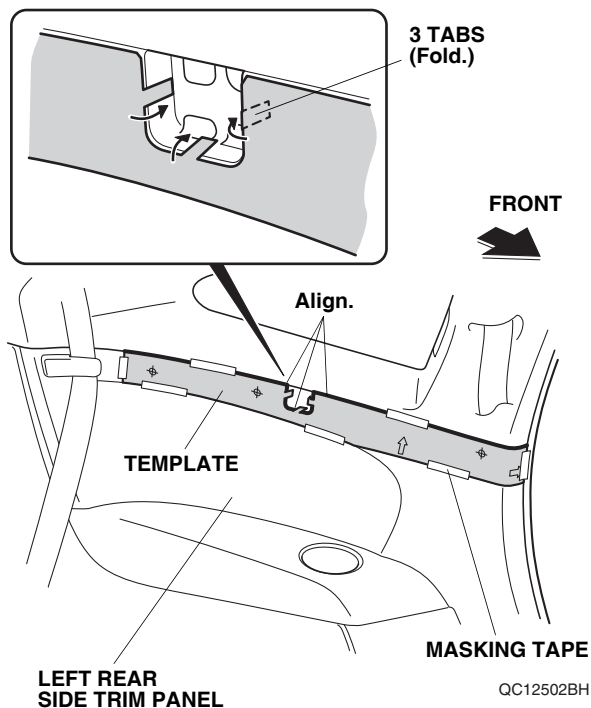
## Installing the Cargo Liner

- Using a plastic trim tool, remove the cover from the left and right rear side trim panels by releasing the retaining tabs.



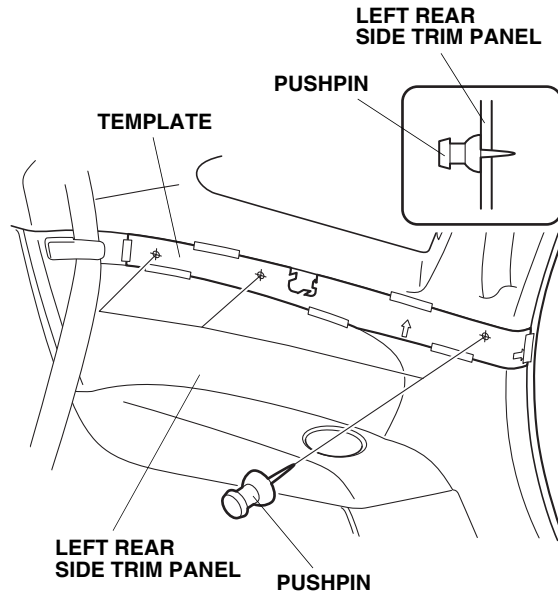
QC32401AH

- Align the template with the left rear side trim panel as shown. Tape the template to the left rear side trim panel with strips of masking tape.



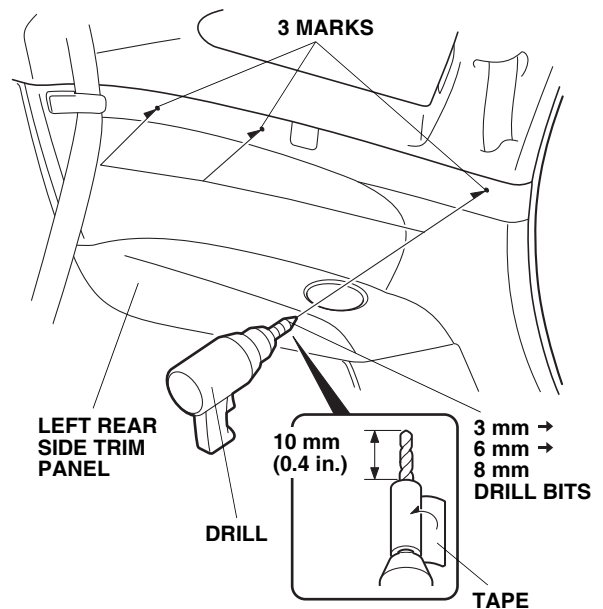
QC12502BH

- Using a pushpin, pierce the left rear side trim panel through the template at the three locations shown on the template.



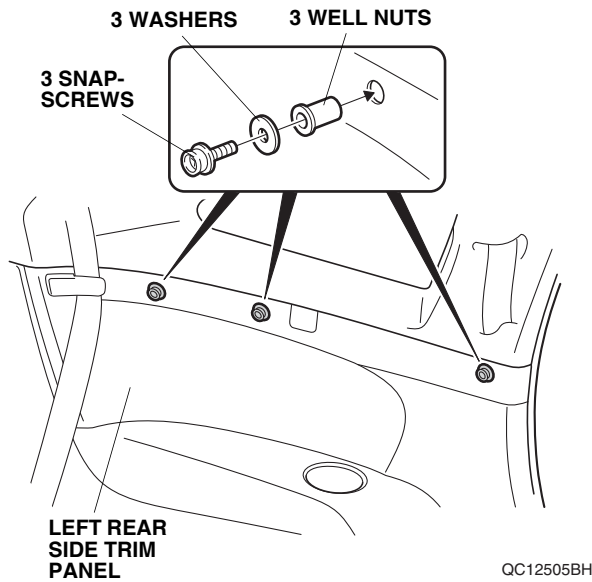
QC12503BH

- Remove the template.
- While wearing eye protection, drill the three pierced marks in the left rear side trim panel to 8 mm:
  - Wrap tape around a 3 mm, 6 mm, and an 8 mm drill bits, 10 mm (0.4 in.) away from the tip, or use a drill stop.
  - First drill with a 3 mm drill bit, then with a 6 mm drill bit, and finish with an 8 mm drill bit.
  - Remove any burrs.



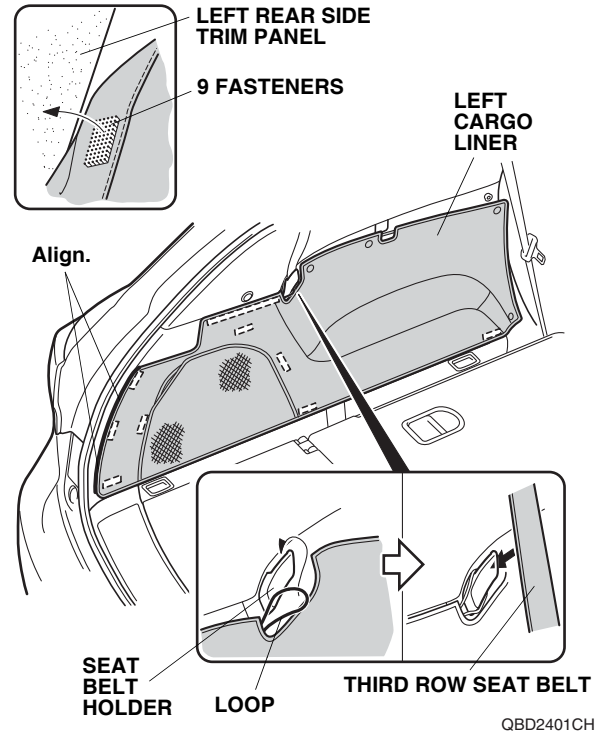
QC12504BH

- Press one well nut into the each hole in the left rear side trim panel.

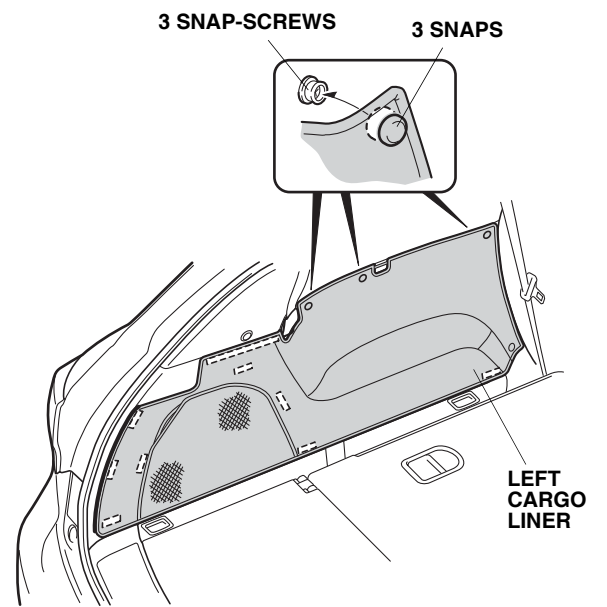


- Place a washer onto the snap-screw and install three snap-screws into the each well nut. Securely tighten the snap-screws.

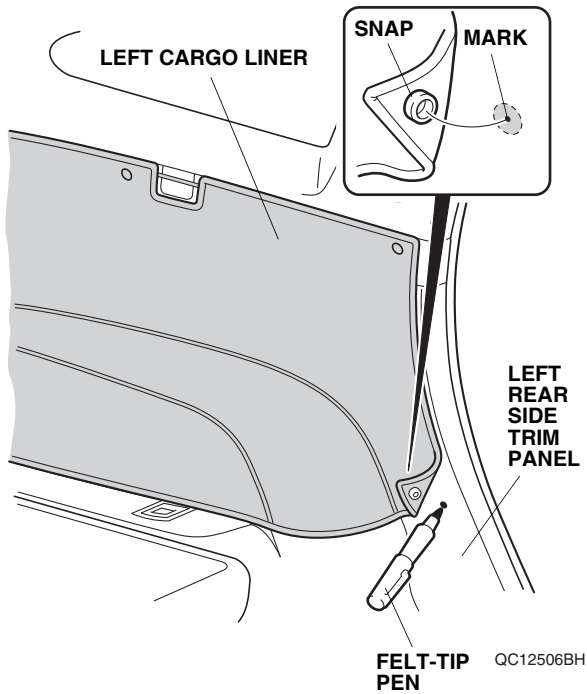
- Install the loop on the left cargo liner through the seat belt holder as shown, then insert the third row seat belt under it.



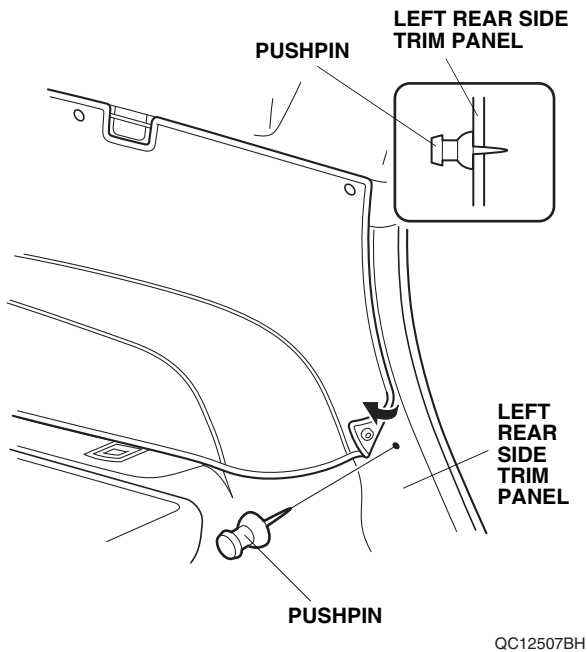
- Align the left cargo liner with end of the left rear side trim panel, and secure the left cargo liner to the left rear side trim panel with nine fasteners (six fasteners on the right cargo liner).
- Secure the three snaps on the left cargo liner to the three snap-screws.



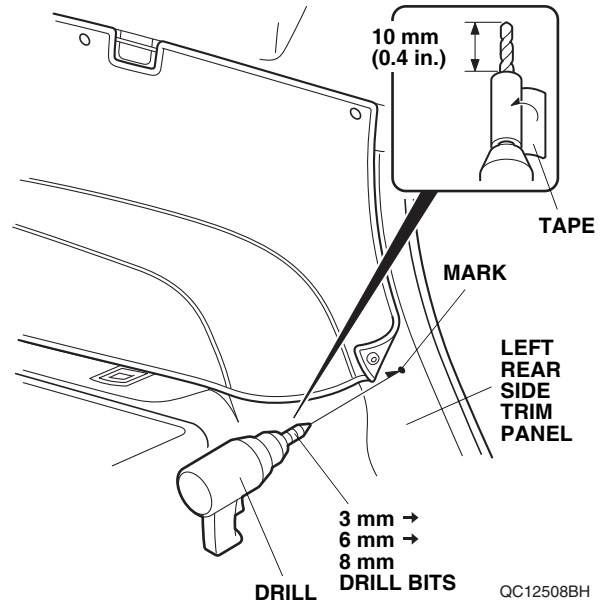
12. Fit the corners of the left cargo liner around the left rear side trim panel. Adjust the left cargo liner so that it fits smoothly over the edges. Using a felt-tip pen, mark the snap location of the left cargo liner on the left rear side trim panel.



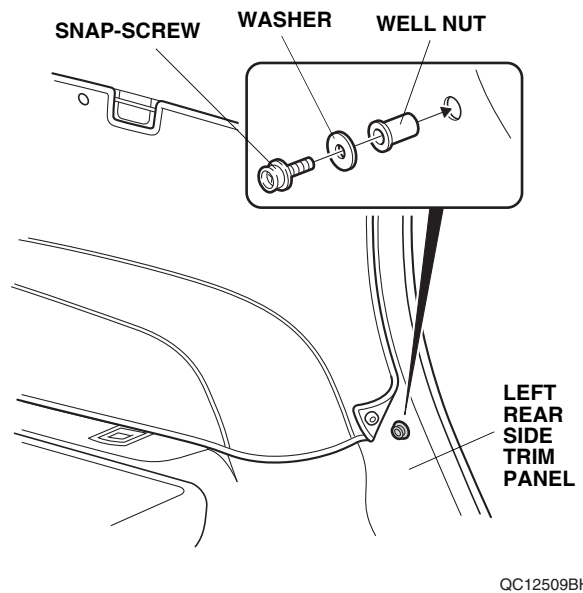
13. Fold the cargo liner. Using a pushpin, pierce the mark on the left rear side trim panel.



14. While wearing eye protection, drill the pierced mark in the left rear side trim panel to 8 mm:
- Wrap tape around a 3 mm, 6 mm, and an 8 mm drill bits, 10 mm (0.4 in.) away from the tip, or use a drill stop.
  - First drill with a 3 mm drill bit, then with a 6 mm drill bit, and finish with an 8 mm drill bit.
  - Remove any burrs.

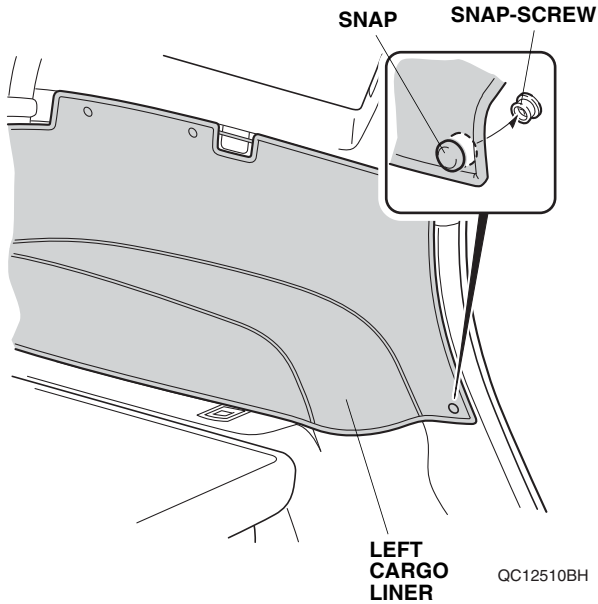


15. Press one well nut into the hole in the left rear side trim panel.



16. Place a washer onto the snap-screw and install one snap-screw into the well nut. Securely tighten the snap-screw.

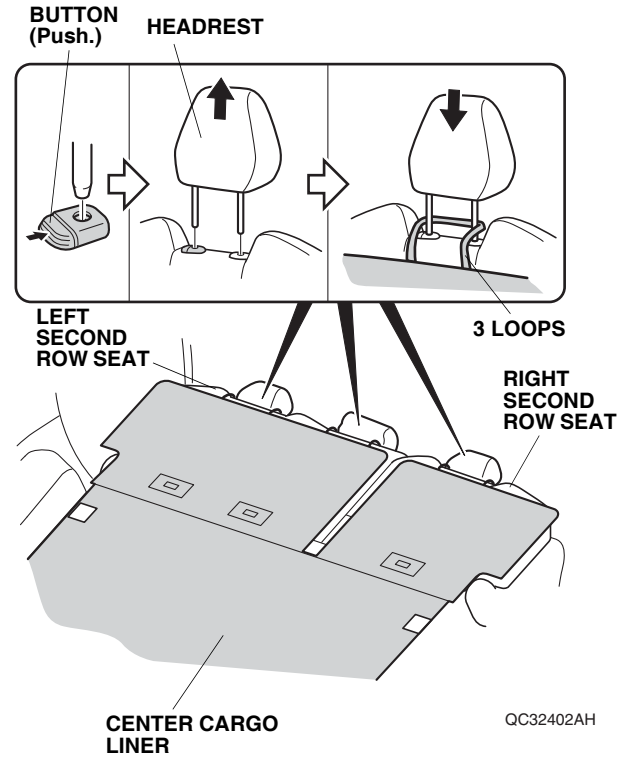
- Secure the one snap on the left cargo liner to the one snap-screw.



- Turn the template over, and repeat steps 3 through 17 to install the right cargo liner on the right side of the vehicle.

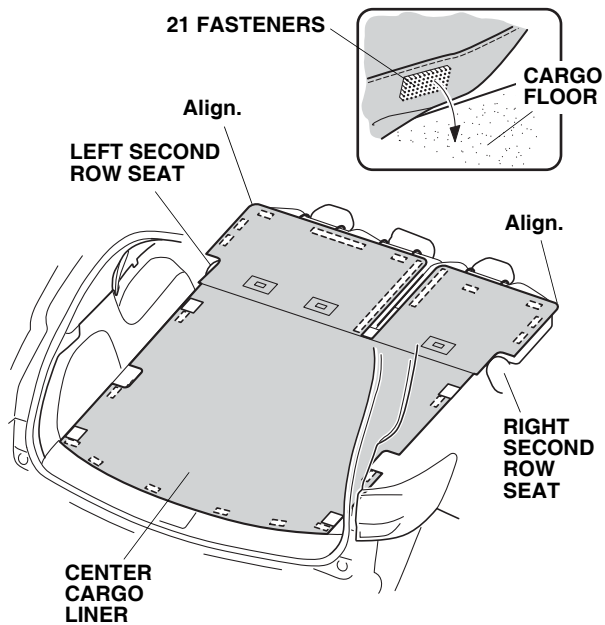
### Installing the Center Cargo Liner

- Raise the second row seats. Remove the headrests from the second row seats, then install three loops on the center cargo liner through the headrests as shown.



- Fold down and slide the second row seats forward fully.

21. Align the center cargo liner with each corner of the left and right second row seats, and secure the center cargo liner to the cargo floor with the 21 fasteners.



QBD2404CH

22. Reinstall the two covers removed in step 2 to the left and right rear side trim panels.

#### USE AND CARE

- Store the cargo liner in the bag for safe-keeping when it is not being used.